

# High speed door

## ASSA ABLOY HS8020P

**ASSA ABLOY**  
Entrance Systems

Experience a safer  
and more open world



### Medium-sized high speed door for outside applications with high windloads

The main features of the ASSA ABLOY HS8020P:

- Medium-sized, max. 5500 x 5500 mm
- Heavy-duty operations
- Outside usage
- High wind loads, up to class 5
- Galvanised steel construction
- Unique direct door drive system
- Opening speed up to 2,4 m/s

The fast opening and closing speed improves your traffic flow, provides employee comfort, and saves energy.

The unique dual barrel power drive system eliminates the need for weighted bottom bars or tension systems by actively driving the door curtain.

Additional full height reinforced side guides ensure reliable opening and closing during heavy winds.

The reliable and versatile control unit ensures precise door set up and diagnostics and is enclosed in a robust steel control box. The clear display is customer friendly giving a wide range of information like an easy to read cycle counter.

#### Break-away and Automatic Reset system

ASSA ABLOY high speed doors are equipped with a break-away and automatic reset system. The curtain reintroduces itself after a crash to reduce downtime and maintenance.

#### Completely safe

Features that make our doors completely safe.

- The soft bottom profile has no rigid parts, it gives way should an obstruction be in the line of closing.
- If the door is hit, the fabric curtain absorbs the impact and releases itself from its side guides without causing damage or being damaged itself.

#### Windows, vision panels and insect screens

To increase the admission of daylight, visibility or airflow the door curtain can be equipped with windows, vision panels or insect screens. These options are offered in fixed layouts.

#### Insulated curtain

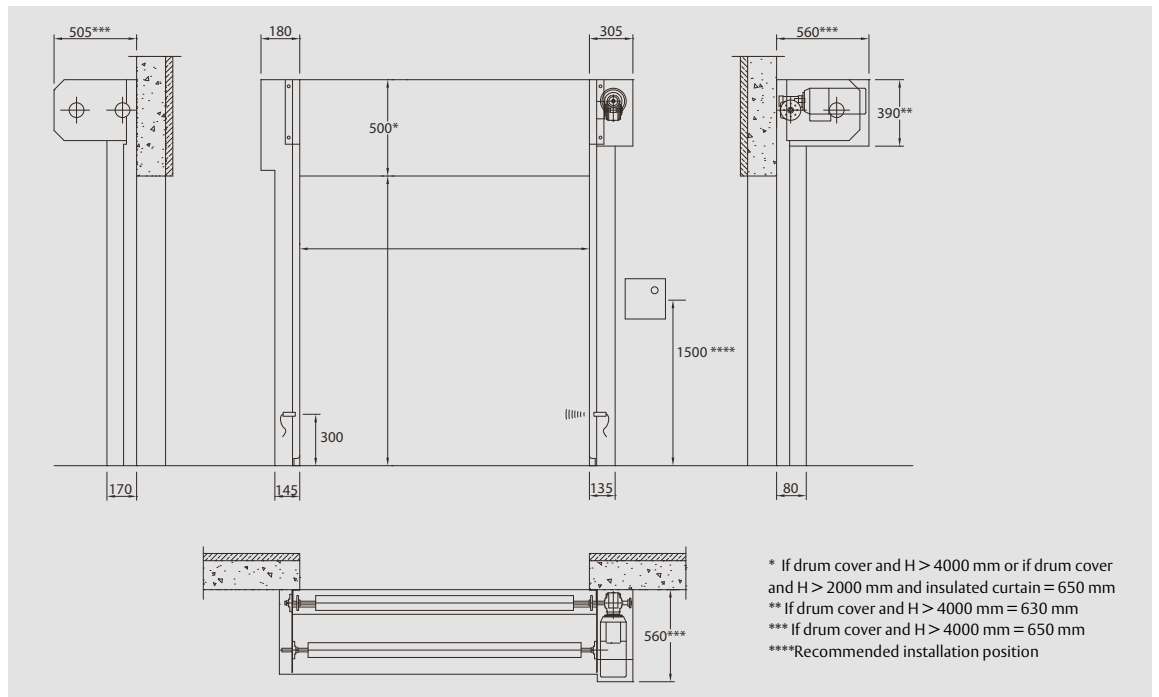
An insulated curtain with an increased insulation of 2,41 W/(m<sup>2</sup>K) is available as an option.

### Technical Data

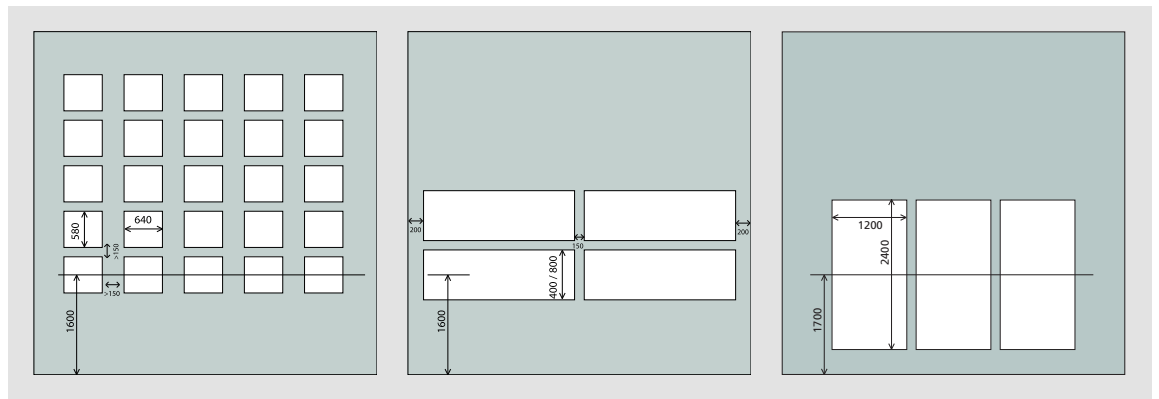
Min size (W x H)	1000 x 2000 mm
Max size (W x H) <sup>1</sup>	5500 x 5500 mm
Operating speed <sup>2</sup>	opening: up to 2,4 m/s closing: 1,2 m/s
Wind load resistance <sup>3</sup> , EN 12424	class 4 (1000 N/m <sup>2</sup> ) class 5 (>1000 N/m <sup>2</sup> ) for doors up to 5000 x 5500 mm
Water penetration <sup>3</sup> , EN 12425	class 3 (>50 N/m <sup>2</sup> )
Air permeability <sup>3</sup> , EN 12426	class 1 (24 m <sup>3</sup> /m <sup>2</sup> /h at 50 Pa)
Thermal transmittance	6,02 W/(m <sup>2</sup> K)
Performance Test	1.000.000 cycles

1) Other sizes available on request 2) Depending on door size  
3) Not applicable for insect screens

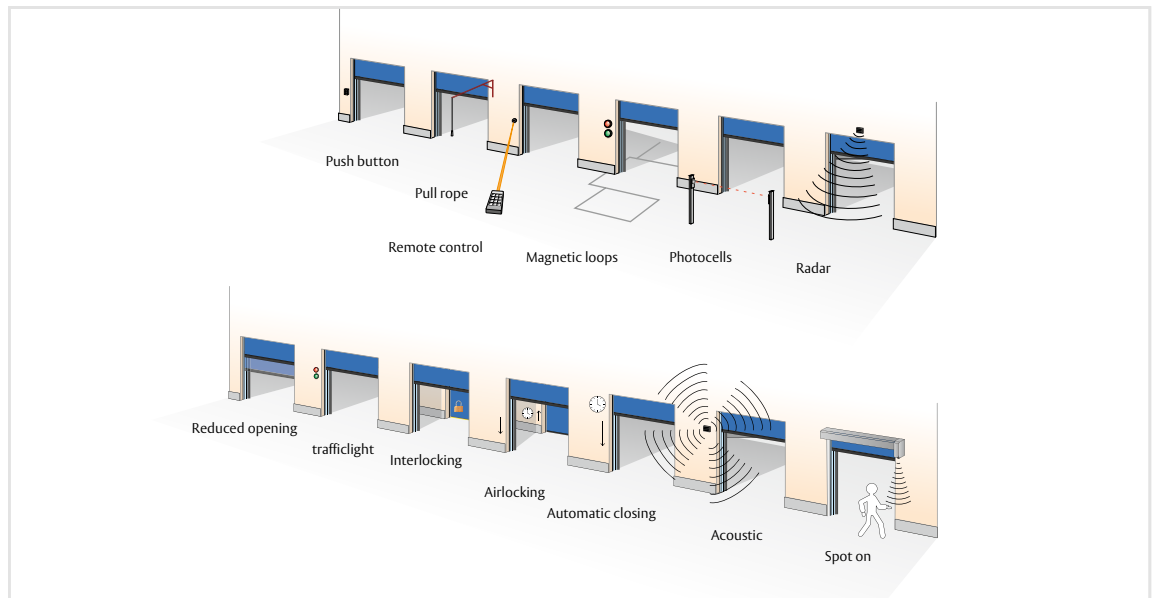
# Dimensional specifications




# Windows, vision panels and insect screens



# Options access and automation



# Standard available colors

 Signal yellow RAL 1003	 Ultramarine blue RAL 5002	 Anthracite grey RAL 7016	 Jet black RAL 9005
 Pure orange RAL 2004	 Gentian blue RAL 5010	 Light grey RAL 7035	 White RAL 9010
 Flame red RAL 3000	 Moss green RAL 6005	 Traffic grey B RAL 7043	 On request Other colors